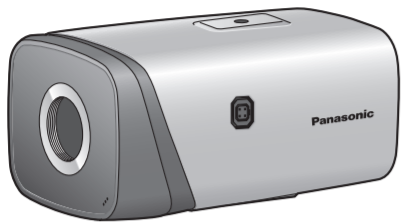


Installation Guide

Network Camera

Model No. **WV-V1170**



- For information about how to perform the settings and how to operate the camera, refer to the operation manual on the provided CD-ROM.
- Before attempting to connect or operate this product, please read these instructions carefully and save this manual for future use.

<p>For U.S. and Canada:</p> <p>Panasonic System Communications Company of North America, Unit of Panasonic Corporation of North America www.panasonic.com/business/ For customer support, call 1.800.528.6747 Two Riverfront Plaza, Newark, NJ 07102-5490</p>	<p>For Europe and other countries:</p> <p>Panasonic Corporation http://www.panasonic.com</p> <p>Panasonic System Networks Co., Ltd. Fukuoka, Japan</p> <p>Authorised Representative in EU: </p> <p>Panasonic Testing Centre Panasonic Marketing Europe GmbH Winsbergring 15, 22525 Hamburg, Germany</p>
<p>Panasonic Canada Inc. 5770 Ambler Drive, Mississauga, Ontario, L4W 2T3 Canada (905)624-5010 www.panasonic.ca</p>	

© Panasonic System Networks Co., Ltd. 2017 FDU0117-2027 **PGQX2152XA**
Printed in China

WARNING:

- To prevent injury, this apparatus must be securely attached to the wall/ceiling in accordance with the installation guide.
- To prevent fire or electric shock hazard, do not expose this apparatus to rain or moisture.
- The apparatus should not be exposed to dripping or splashing.
- All work related to the installation of this product should be made by qualified service personnel or system installers.
- The installation shall be carried out in accordance with all applicable installation rules.
- The connections should comply with local electrical code.
- Batteries (battery pack or batteries installed) shall not be exposed to excessive heat such as sunlight, fire or the like.

CAUTION:

- Any changes or modifications not expressly approved by the party responsible for compliance could void the user's authority to operate the equipment.
- The network camera is only intended for a connection to an ethernet or PoE network without routing to the outside plant.

For U.S.A.

NOTE: This equipment has been tested and found to comply with the limits for a Class A digital device, pursuant to Part 15 of the FCC Rules. These limits are designed to provide reasonable protection against harmful interference when the equipment is operated in a commercial environment. This equipment generates, uses, and can radiate radio frequency energy and, if not installed and used in accordance with the instruction manual, may cause harmful interference to radio communications. Operation of this equipment in a residential area is likely to cause harmful interference in which case the user will be required to correct the interference at his own expense.

FCC Caution: To assure continued compliance, (example - use only shielded interface cables when connecting to computer or peripheral devices). Any changes or modifications not expressly approved by the party responsible for compliance could void the user's authority to operate this equipment.



For U.S.A.

The model number and serial number of this product may be found on the surface of the unit. You should note the model number and serial number of this unit in the space provided and retain this book as a permanent record of your purchase to aid identification in the event of theft.


Model No. _____
Serial No. _____


For Canada

CAN ICES-3(A)/NMB-3(A)

 : Direct current symbol
 : Alternating current symbol

Disposal of Old Equipment and Batteries
Only for European Union and countries with recycling systems

 These symbols on the products, packaging, and/or accompanying documents mean that used electrical and electronic products and batteries must not be mixed with general household waste. For proper treatment, recovery and recycling of old products and used batteries, please take them to applicable collection points in accordance with your national legislation. By disposing of them correctly, you will help to save valuable resources and prevent any potential negative effects on human health and the environment. For more information about collection and recycling, please contact your local municipality. Penalties may be applicable for incorrect disposal of this waste, in accordance with national legislation.

 **Note for the battery symbol (bottom symbol)**
This symbol might be used in combination with a chemical symbol. In this case it complies with the requirement set by the Directive for the chemical involved.

Important safety instructions

- Read these instructions.
- Keep these instructions.
- Heed all warnings.
- Follow all instructions.
- Do not use this apparatus near water.
- Clean only with dry cloth.
- Do not block any ventilation openings. Install in accordance with the manufacturer's instructions.
- Do not install near any heat sources such as radiators, heat registers, stoves, or other apparatus (including amplifiers) that produce heat.
- Only use attachments/accessories specified by the manufacturer.
- Unplug this apparatus during lightning storms or when unused for long periods of time.
- Refer all servicing to qualified service personnel. Servicing is required when the apparatus has been damaged in any way, such as power-supply cord or plug is damaged, liquid has been spilled or objects have fallen into the apparatus, the apparatus has been exposed to rain or moisture, does not operate normally, or has been dropped.

Main functions

- 12 mega pixels 4K Box type network camera**
- H.265, H.264 and MJPEG triple-stream encoding**
H.265 outputs and H.264 output can be provided.
- Max 20 fps@12 mega pixels (4000x3000), 25/30 fps@4K (3840x2160)**

Limitation of liability

THIS PUBLICATION IS PROVIDED "AS IS" WITHOUT WARRANTY OF ANY KIND, EITHER EXPRESS OR IMPLIED, INCLUDING BUT NOT LIMITED TO, THE IMPLIED WARRANTIES OF MERCHANTABILITY, FITNESS FOR ANY PARTICULAR PURPOSE, OR NON-INFRINGEMENT OF THE THIRD PARTY'S RIGHT. THIS PUBLICATION COULD INCLUDE TECHNICAL INACCURACIES OR TYPOGRAPHICAL ERRORS. CHANGES ARE ADDED TO THE INFORMATION HEREIN, AT ANY TIME, FOR THE IMPROVEMENTS OF THIS PUBLICATION AND/OR THE CORRESPONDING PRODUCT (S).

Disclaimer of warranty

IN NO EVENT SHALL Panasonic System Networks Co., Ltd. BE LIABLE TO ANY PARTY OR ANY PERSON, EXCEPT FOR REPLACEMENT OR REASONABLE MAINTENANCE OF THE PRODUCT, FOR THE CASES, INCLUDING BUT NOT LIMITED TO BELOW:

- ANY LOSS OR DAMAGE, INCLUDING WITHOUT LIMITATION, DIRECT OR INDIRECT, SPECIAL, CONSEQUENTIAL OR EXEMPLARY, ARISING OUT OF OR RELATING TO THE PRODUCT;
- ANY INCONVENIENCE, LOSS, OR DAMAGE CAUSED BY INAPPROPRIATE USE OR NEGLIGENT OPERATION OF THE USER;
- ALL MALFUNCTIONS OR TROUBLES FROM UNAUTHORIZED DISASSEMBLE, REPAIR OR MODIFICATION OF THE PRODUCT BY THE USER, REGARDLESS OF THE CAUSE OF THE MALFUNCTION OR TROUBLE;
- INCONVENIENCE OR ANY LOSS ARISING WHEN IMAGES ARE NOT DISPLAYED, DUE TO ANY REASON OR CAUSE INCLUDING ANY FAILURE OR PROBLEM OF THE PRODUCT;
- ANY PROBLEM, CONSEQUENTIAL INCONVENIENCE, OR LOSS OR DAMAGE, ARISING OUT OF THE SYSTEM COMBINED BY THE DEVICES OF THIRD PARTY;
- ANY CLAIM OR ACTION FOR DAMAGES BROUGHT BY ANY PERSON OR ORGANIZATION AS A PHOTOGRAPHED SUBJECT DUE TO VIOLATION OF PRIVACY CONCERNING A SURVEILLANCE CAMERA'S PICTURE OR SAVED DATA, FOR SOME REASON (INCLUDING USE WHEN USER AUTHENTICATION ON THE AUTHENTICATION SETTING SCREEN IS SET TO OFF), BECOMING PUBLIC OR BEING USED FOR ANY PURPOSE;
- LOSS OF REGISTERED DATA CAUSED BY ANY FAILURE (INCLUDING INITIALIZATION OF THE PRODUCT DUE TO FORGOTTEN AUTHENTICATION INFORMATION SUCH AS A USER NAME AND PASSWORD).

Network security

As you will use this unit connected to a network, your attention is called to the following security risks.

- Leakage or theft of information through this unit
- Use of this unit for illegal operations by persons with malicious intent
- Interference with or stoppage of this unit by persons with malicious intent

It is your responsibility to take precautions such as those described below to protect yourself against the above network security risks.

- Use this unit in a network secured by a firewall, etc.
- If this unit is connected to a network that includes PCs, make sure that the system is not infected by computer viruses or other malicious entities (using a regularly updated anti-virus program, anti-spyware program, etc.).
- To prevent unauthorized access, use user-authentication, set user names and passwords, and limit which users can log in.
- Apply measures such as user authentication to protect your network against leakage or theft of information, including image data, authentication information (user names and passwords), alarm E-mail information, FTP server information and DDNS server information.
- After the unit is accessed by the administrator, make sure to close the browser.
- Change the administrator password periodically. Additionally, save user authentication information (user names and passwords) in such a way that it is kept out of the hands of third parties.
- Do not install the camera in locations where the camera or the cables can be destroyed or damaged by persons with malicious intent.

Precautions

WARNING

- Refer installation work to the dealer.**
Installation work requires technique and experiences. Failure to observe this may cause fire, electric shock, injury, or damage to the product.
 - Be sure to consult the dealer.
- Turn the power off when do wiring of this product.**
Failure to observe this may cause electric shock. In addition, short circuit or wrong wiring may cause fire.
- Correctly perform all wiring.**
Short circuits in the wiring or incorrect wiring may cause fire or electrical shock.
- Do not hang down from this product or use this product as a pedestal.**
Failure to observe this may cause injury or accidents.
- Stop the operation immediately when something is wrong with this product.**
When smoke goes up from the product, the smell of smoke comes from the product, or the exterior of the product has deteriorated, continued use will cause a fire or fall of the product resulting in injury, or damage to the product.
 - In this case, turn the power off immediately and contact qualified service personnel for service.
- Select an installation area that can support the total weight.**
Selecting an inappropriate installation surface may cause this product to fall down or topple over, resulting in injury or accidents.
 - Installation work shall be started after sufficient reinforcement.
- Periodic inspections shall be conducted.**
Rust on the metal parts or screws may cause a fall of the product resulting in injury or accidents.
 - Consult the dealer for the inspections.
- Do not install this product in locations subject to vibration.**
Loosening of mounting screws or bolts may cause a fall of the product resulting in injury or accidents.
- Install this product in a location high enough to avoid people and objects from bumping the product.**
Failure to observe this may cause injury.
- Do not attempt to disassemble or modify this product.**
Failure to observe this may cause fire or electric shock. Consult the dealer for the repair or inspections.
- Do not insert any foreign objects.**
Fire or electrical shock may be caused if water or any foreign objects, such as metal objects, enter inside the unit. Turn the power off immediately and contact qualified service personnel for service.
- Do not use this product in an inflammable atmosphere.**
Failure to observe this may cause an explosion resulting in injury.
- Avoid installing this product in the locations where salt damage occurs or corrosive gas is produced.**
Otherwise, the mounting portions will deteriorate and accidents such as a fall of the product may occur.
- Do not strike or give a strong shock to this product.**
Failure to observe this may cause fire or injury.
- Do not install or clean the camera, or touch this product, the power cable or the connected cables during thunder storms.**
Failure to observe this may cause electric shock.
- Keep SDXC/SDHC/SD memory cards away from infants and children.**
Otherwise, they may swallow the cards by mistake. In this case, consult a doctor immediately.
- The measures of protection against a fall of this product shall be taken.**
Failure to observe this may cause a drop resulting in injury or accidents. Be sure to install the safety wire.

CAUTION

- Do not rub the edges of metal parts with your hand.**
Failure to observe this may cause injury.
- Turn the power off when cleaning this product.**
Failure to observe this may cause injury.

Precautions for use

This product has no power switch.
When turning off the power, disconnect the power supply from the 12 V DC power supply, 24 V AC power supply or the PoE device.

To keep on using with stable performance
Do not use this camera in hot and humid conditions for a long time. Failure to observe this causes component degradation resulting in life shortening of this product. Do not expose this camera to direct heat sources such as a heater.

Do not touch the lens with your bare hands.
A dirty lens causes deterioration of picture quality.

Handle this camera with care.
Do not drop this camera, nor apply shock or vibration to this camera. Failure to observe this may cause trouble. If a strong shock or vibration is applied to the enclosure, it may cause damage or allow water to enter this product.

About the battery
A battery is installed inside the camera. Do not leave the battery exposed in environments of excessive heat as a result of sunlight or fire.

Product disposal/transfer
Data saved on this product or a storage device used with this product may lead to personal information leakage. When it is necessary to dispose or give this product to someone, even when for repair, make sure that there is no data on this product. When abandoning the memory media, it is recommended to destroy it physically after deleting data by PC.

Cleaning this product body
Be sure to turn off the power before cleaning. Failure to observe this may cause injury. Do not use benzene, thinner, alcohol, or any other types of solvents or detergents. Otherwise, it may cause discoloration. When using a chemical cloth for cleaning, read the caution provided with the chemical cloth product.

About the MOS image sensor

- When continuously shooting a bright light source such as a spotlight, the color filter of the MOS image sensor may have deteriorated and it may cause discoloration. Even when changing the fixed shooting direction after continuously shooting a spotlight for a certain period, the discoloration may remain.
- When shooting fast-moving subjects or performing panning/tilting operations, objects crossing the shooting area may look to be bending askew.

AVC Patent Portfolio License
THIS PRODUCT IS LICENSED UNDER THE AVC PATENT PORTFOLIO LICENSE FOR THE PERSONAL USE OF A CONSUMER OR OTHER USES IN WHICH IT DOES NOT RECEIVE REMUNERATION TO

(i) ENCODE VIDEO IN COMPLIANCE WITH THE AVC STANDARD ("AVC VIDEO") AND/OR

(ii) DECODE AVC VIDEO THAT WAS ENCODED BY A CONSUMER ENGAGED IN A PERSONAL ACTIVITY AND/OR WAS OBTAINED FROM A VIDEO PROVIDER LICENSED TO PROVIDE AVC VIDEO. NO LICENSE IS GRANTED OR SHALL BE IMPLIED FOR ANY OTHER USE. ADDITIONAL INFORMATION MAY BE OBTAINED FROM MPEG LA, L.L.C. SEE HTTP://WWW.MPEGLA.COM

Equipment classification and power source indication label
Refer to the indication label on the side of this unit for the equipment classification, power source, and other information.

Specifications

● Basic	
Power source:*	24 V AC, 12 V DC, PoE (IEEE802.3af compliant)
Power consumption:*	24 V AC: 800 mA (50/60 Hz) 12 V DC: 1 A PoE 48 V DC: 200 mA (Class 0 device)
Operating environment Ambient operating temperature: Ambient operating humidity:	-30 °C to +50 °C [-22 °F to 122 °F], 10 % to 90 % (no condensation)
Storage environment Storage temperature: Storage humidity:	-30 °C to +60 °C [-22 °F to 140 °F] 10 % to 95 % (no condensation)
Monitor output (for adjustment):	VBS: 1.0 V [p-p]/ 75 Ω, composite, BNC connector
Audio Interface:	Audio IN 1 channel/ Audio OUT 1 channel 1 Built-in microphone
Dimensions:	74 mm (W) × 135 mm (D) × 66 mm (H) [2-29/32 inches (W) × 5-5/16 inches (D) × 2-19/32 inches (H)]
Mass:	Approx. 540 g (1.19 lbs)

* Refer to our website (http://security.panasonic.com/library/v/en/) for further information about Power source and Power consumption.

● Camera	
Image sensor:	Approx. 1/1.7" type MOS image sensor
Effective pixels:	Approx. 12 mega pixels
Scanning system:	Progressive
Minimum illumination:	Color: 0.02 lx* (F1.4, Maximum shutter: 1/30s, AGC: 100): Converted value 0.2 lx (F1.4, Maximum shutter: 1/30s, AGC: 100) BW: 0.0002 lx (F1.4, Maximum shutter: 1/30s, AGC: 100): Converted value 0.002 lx (F1.4, Maximum shutter: 1/30s, AGC: 100) * Color: 0.02 lx/ F1.4 corresponds to 0.01 lx/ F1.2
Gain:	Auto/ Manual
Back light compensation:	Off/ BLC/ HLC/ DWDR/ SSA
Shutter speed:	Auto/ Manual, 1/3 sec~1/100000 sec
Day/Night:	Auto(ICR)/ Color/ Black & White
White balance:	Auto/ Natural/ Street Lamp/ Outdoor/ Manual
Digital noise reduction:	3DNR ON/ OFF
Privacy masking:	Up to 4 areas
Video Motion Detection (VMD):	Off/ On (4 Zone, Rectangle)
Tampering detection	Off/ On
Image rotation	0 °/ 90 °/ 180 °/ 270 °

● Lens	
Lens drive:	DC drive
Lens mount:	C/CS-mount

● Network	
Network:	10BASE-T/ 100BASE-TX, RJ45 connector
Resolution:	12M (4000x3000)/ 8M (3840x2160)/ 5M (2560x1920)/ 3M (2048x1536)/ 1080P (1920x1080)/ 1.3M (1280x960)/ 720P (1280x720)/ VGA (640x480)/ 640x360/ 320x240
Image compression method:	H.265/ H.264/ H.264H/ H.264B/ MJPEG
Frame Rate:	12M: 1~20 fps Others: 1~25/30 fps
Audio compression method:	G.711μ/ G.726/ AAC
Protocol:	IPv4/ IPv6, HTTP, HTTPS, SSL, TCP/ IP, UDP, UPnP, ICMP, IGMP, SNMP, RTPS, RTP, RTCP, SMTP, NTP, DHCP, DNS, DDNS, FTP, QoS, 802.1x, Multicast
Maximum concurrent access number:	20 users (Number of sessions that can connect to cameras at the same time)
OS:	Microsoft® Windows® 10 Microsoft® Windows® 8.1 Microsoft® Windows® 8 Microsoft® Windows® 7
Browser:	Windows® Internet Explorer® 11

● Auxiliary Interface	
Compatible micro SDXC/ SDHC memory card: *1 *2	4 ~ 128 GB
I/O Port:	Alarm Input 2 channels/ Output 1 channel RS485 1 port RS232 serial port 1 port

*1 When repeatedly recording images on a micro SD memory card using the auto overwrite function, make sure to use a micro SD memory card with high reliability and durability.
*2 Use the micro SD memory card that complies with UHS-I (Ultra High Speed-I) and SD Speed Class 10. Refer to our websight (http://security.panasonic.com/library/v/en/) in detail.

Trademarks and registered trademarks

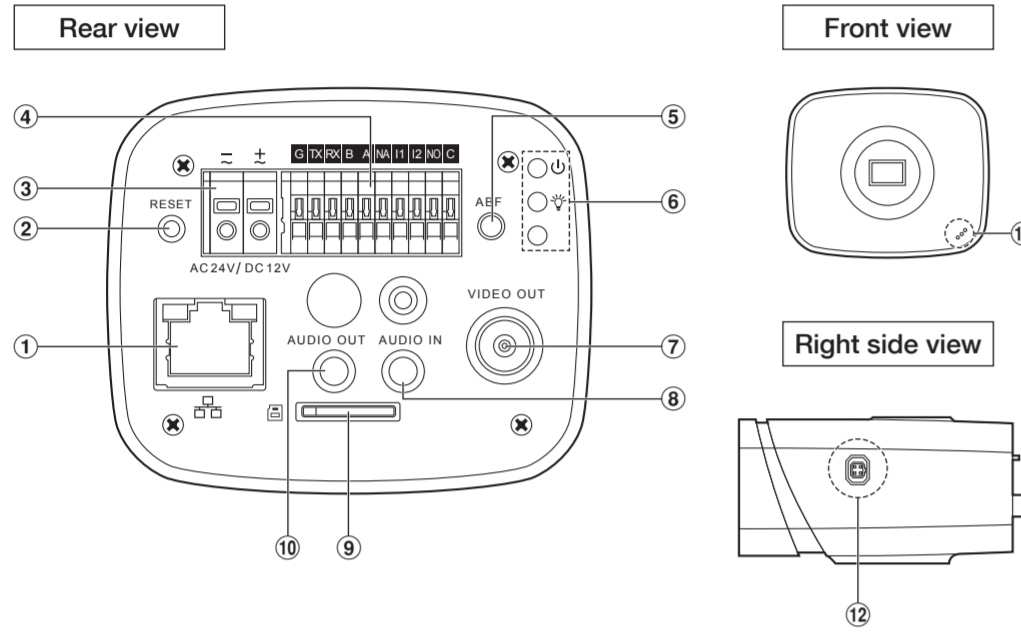
- Microsoft, Windows, Windows Media, Internet Explorer, and ActiveX are either registered trademarks or trademarks of Microsoft Corporation in the United States and/or other countries.
- Microsoft product screen shot(s) reprinted with permission from Microsoft Corporation.
- microSDXC Logo is a trademark of SD-3C, LLC.
- All other trademarks identified herein are the property of their respective owners.

Standard accessories

Confirm the following items are included in the camera's packaging.

Installation Guide (this document)	1 pc.	Safety wire lug	1 pc.
Warranty card	1 set	Safety wire lug fixing screw	1 pc.
CD-ROM	1 pc.	C/CS Lens Adapter Ring	1 pc.
Safety wire	1 set		

Connection

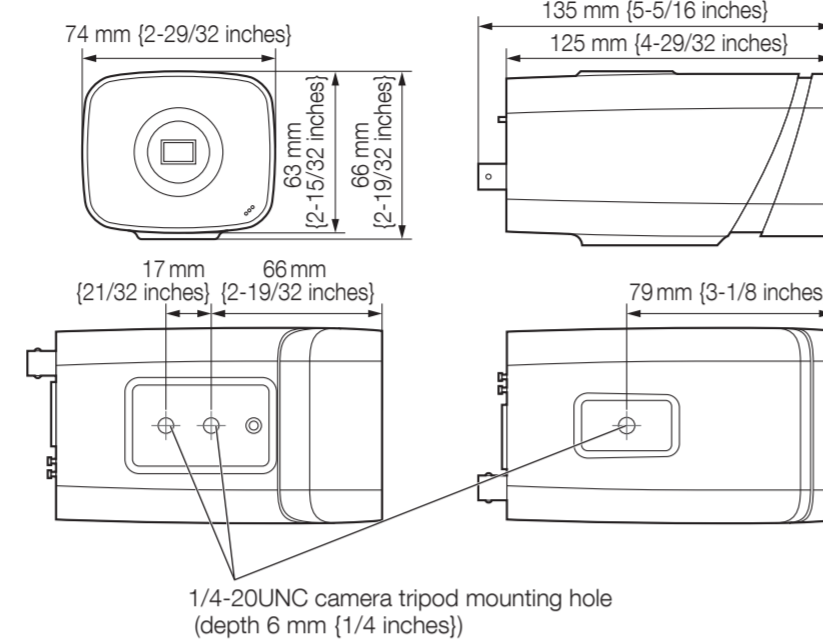


Port Name	Port function	Port function
① LAN/OPT	Network port / MB optical fiber port	LAN: Connect to standard Ethernet cable and provide PoE power supply function. OPT: Transmit MB Ethernet data.
② RESET	RESET button	Restore device factory default setup. When system is running normally, press the RESET button for at least 5 seconds, system can restore factory default setup.
③ AC 24V/ DC 12V	Power port	Able to input 12 V DC or 24 V AC power supply, and the limited power source is rated 12 V DC or 24 V AC in the IEC60950-1.
④ I/O PORT	I/O / RS485 / RS232 port	See the separate table below.
⑤ ABF	Auto back focus adjustment	Auto back focus adjustment, by adjusting Sensor board position to achieve precise back focus adjustment.
⑥ Indicator Light	Red light Green light	<ul style="list-style-type: none"> • System boots up—red light is normally on • System upgrades—red light flashes • System resets—green light is off, red light is normally on. • Normal working status—green light is normally on. • Display record status: recording—green light flashes.
⑦ VIDEO OUT	Video output port	Output analog video signal. It can connect to monitor to check analog video.
⑧ AUDIO IN	Audio input port	3.5 mm JACK, input audio signal from devices such as pick-up.
⑨ SD	SD memory card slot	Insert micro SD memory card.
⑩ AUDIO OUT	Audio output port	3.5 mm JACK port, output audio signal to the passive device such as earphone and etc.
⑪	Built-in microphone	Able to pick up outside sounds directly.
⑫ ALC	ALC lens connector	Connect the lens cable.

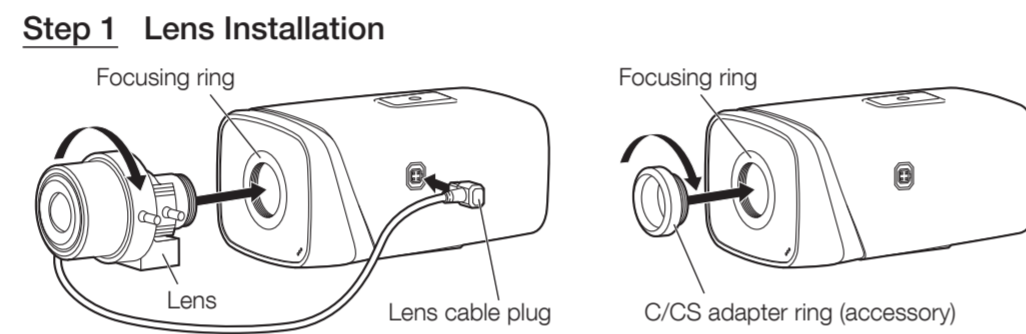
I/O Port name	Port function	Port function
G	GND	Ground end of RS232 serial port and alarm input port.
TX	RS232 port	Sending end of RS232 serial port.
RX	RS232 port	Receiving end of RS232 serial port.
B	RS485 port	RS485_B port, control external PTZ etc.
A	RS485 port	RS485_A port, control external PTZ etc.
NA	IR light port	External IR light signal control port.
IN1/IN2	Alarm input port 1/2	Receive the on-off signal from the external alarm source.
NO	Alarm output port	Alarm output port. It is to output alarm signal to the alarm device. NO: Normally open alarm output end. C: Alarm output common end
C		

Framework and dimension

The figures are for reference only, which are used to know the device dimension, please refer to the actual device for more details.



Device Installation



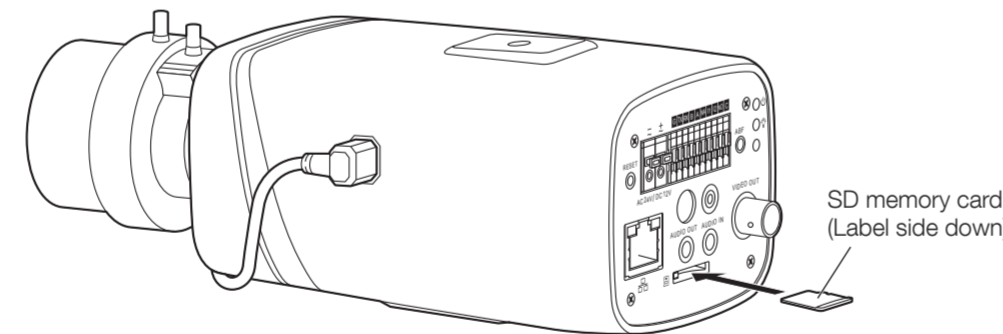
< Auto Iris Lens Installation >

- ① Remove the CCD protection cover on the device, aim the lens at the lens installation position, and turn the lens clockwise until it is installed firmly.
- ② Insert the ALC lens connector into the connector of auto iris lens on the camera side panel.
- ③ Make the image clear via adjusting focal length.

< Manual Iris Lens Installation >

- ① Remove the CCD protection cover on the device,
- ② Install the C/CS adapter ring on the camera; turn clockwise to the end to cling to the focusing ring on the camera closely. (Only C lens needs to install adapter ring)
- ③ Aim the C port lens at the lens installation position of the C/CS adapter ring (aim the CS port lens at the lens installation position of the camera focusing ring); turn the lens clockwise until it is firmly installed.
- ④ Use slotted screwdriver to unfasten the screw near the focusing ring and then turn counter clockwise to move the focusing ring out for several millimeters. Now you can focus manually and check the video is clear or not. If you can't see the clear video, you can adjust back focus.
- ⑤ After you completed the focus setup, use the slotted screwdriver to fix the screw firmly. Fasten the focusing ring. Now the installation completed.

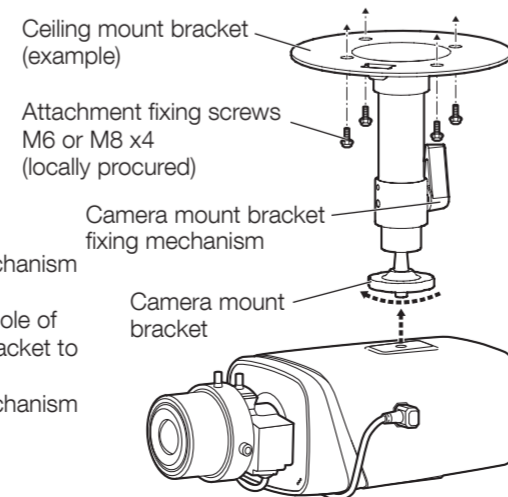
Step 2 SD Card Installation



The following explains an example of mounting the camera on a ceiling. Before proceeding to Step 3 below, please read the leaflet "How to Attach the Safety Wire" included in the package.

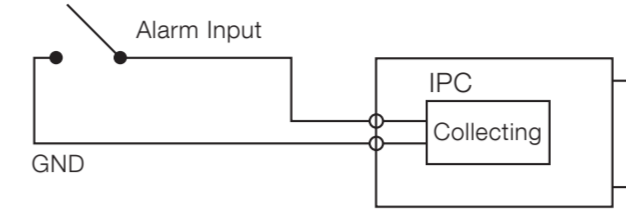
Step 3 Mount the camera

- ① Mark the position of holes to be made for the ceiling mount bracket (locally procured) on the attachment position of the ceiling, and make those holes for attachment. Determine the hole diameter and hole depth according to the specifications of the screws or anchor bolts to be used.
- ② Secure the ceiling mount bracket (locally procured) using separately procured screws or anchors.
- ③ Loosen the camera mount bracket fixing mechanism to freely move the camera mount bracket. Align the screw thread with the fixing screw hole of the camera, and rotate the camera mount bracket to secure the camera. Tighten the camera mount bracket fixing mechanism and secure the camera mount bracket.

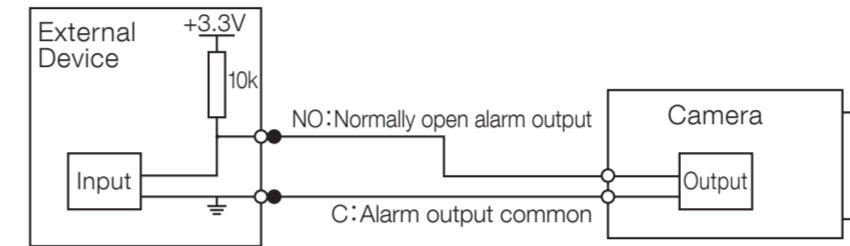


Step 4 Alarm Input and Output connection, if necessary.

Please refer to the following figure for alarm input information. Alarm input: When the input signal is idle or grounded, the device can collect the different statuses of the alarm input port. When the input signal is connected to the 3.3 V or it is idle, the device collects the logic "1". When the input signal is grounded, the device collects the logic "0".



Please refer to the following figure for alarm output information. When alarm output is open collector, it needs to increase pull-up resistance externally to work normally; output signal is high and low level. After external pull-up resistance is increased, the default of output signal is high level, and it switches to low level when there is alarm output. The working current of alarm output port is recommended as <= 10 mA. The max current which is used to drive external circuit is 80 mA, it is advised to add a relay if it is beyond the value.

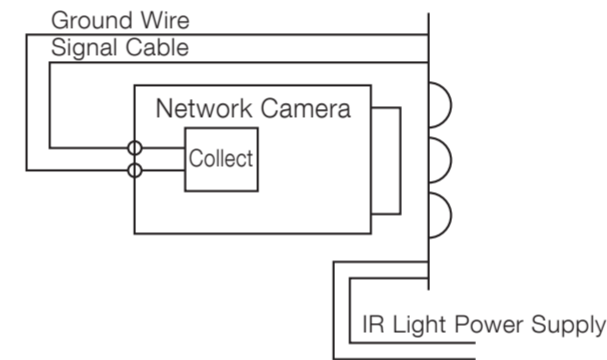


Step 5 IR Light connection, if necessary.

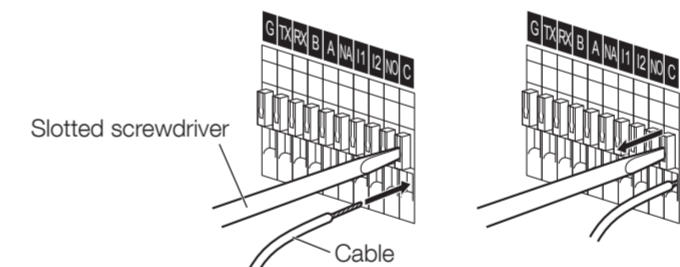
NOTE:
It will change Black&White or Color mode according to the signal synchronization from the external IR light. It needs to meet the following requirements before using IR light sync function:

- Device shall have external port for IR function.
- Log in Web, select Setup -> Image/Audio -> image adjust -> Day&Night, and select "sensor input". If it is not available, then you don't need to configure it.

Please refer to the following figure for external IR light information. IR synchronization input signal. When the external IR light is on, the signal cable on the light board outputs 3.3 V/1 mA. It outputs OV when the IR light is off.



Step 6 I/O port application, if necessary.



Install Cable:

- ① Use the small slotted screwdriver to press the corresponding button of cable groove.
- ② Insert the cable into the groove.
- ③ Release the screwdriver which presses the groove button and complete cable installation.

Step 7 Connect and adjust the camera

[1] Connecting wires

Connect the necessary cables/lead wires according to the procedure of "Connection".

[2] Adjusting the camera angle

Connect the adjustment monitor to the VIDEO OUT terminal of the camera with the pin cable (locally procured). Loosen the camera mount bracket fixing mechanism on the camera mount bracket, and then check the adjustment monitor to adjust the camera angle. When adjusting the camera angle, make sure to loosen the camera mount bracket fixing mechanism on the camera mount bracket before making adjustments. After adjusting the camera angle, make sure to tighten the camera mount bracket fixing mechanism securely again.

[3] Adjusting the focus

First, reset the back focus position by holding down the ABF button for 5 seconds or more when the power is on. Adjust the angle of view and focus coarsely by adjusting the zoom and focus of the lens to center a subject in the screen, and then press the ABF button on the rear of the camera or perform the auto back focus function from the setup menu. Refer to the Operating Instructions (included in the CD-ROM) for how to perform the auto back focus function from the setup menu.

CAUTION:

- A READILY ACCESSIBLE DISCONNECT DEVICE SHALL BE INCORPORATED TO THE EQUIPMENT POWERED BY 12 V DC or 24 V AC POWER SUPPLY.
- ONLY CONNECT 12 V DC or 24 V AC CLASS 2 POWER SUPPLY (UL 1310/CSA 223) or LIMITED POWER SOURCE (IEC/EN/UL/CSA 60950-1).

IMPORTANT:

- Turn off each system's power supply (PoE hub or device to supply power to the camera) before making a connection.
- The 12 V DC or 24 V AC power supply shall be insulated from the commercial AC power.
- Use an Ethernet cable (category 5e or better, straight) to LAN/OPT port. The maximum cable length is 100 m {328 feet}.

Network Configuration

Configure the setting of the camera after temporarily invalidating the firewall software. Once the camera configuration is completed, return to the original state. Contact the network administrator or your Internet service provider for information about configuring the settings of the network.

- [1] Insert the provided CD-ROM into the CD-ROM drive of your PC. Double click the "CDLauncher.exe" file on the CD-ROM.

- The License Agreement will be displayed. Read the Agreement and choose "I accept the term in the license agreement", and click [OK].
- ➔ The launcher window will be displayed.

NOTE:

- Refer to "Using the CD-ROM" in the Operating Instructions on the provided CD-ROM for further information about CDLauncher.



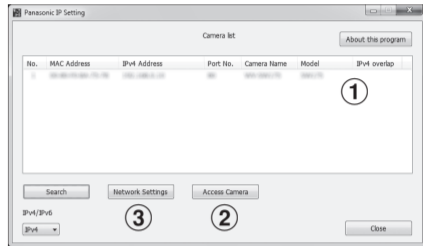
- [2] Click the [Run] button next to [IP Setting Software].

- ➔ [Panasonic IP Setting] screen will be displayed. The MAC Address / IP address of the detected camera will be displayed.

- [3] Select the camera you want to configure (①), and click [Access Camera] (②).

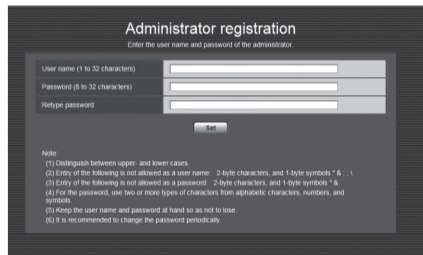
NOTE:

- Select the camera with same MAC address as the MAC address printed on the camera that you want to configure.
- To change the IP address in step [3], select [Network Settings] (③) and set the address before clicking [Access Camera] (②).



- [4] When the administrator registration window is displayed, enter "User name", "Password" and "Retype password" by following the instructions displayed on the screen, and then click the [Set] button.

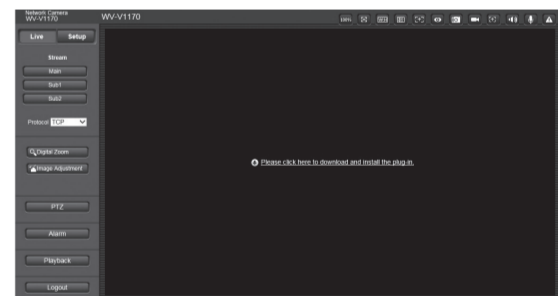
Please keep your user name and password in a safe place free from public view to ensure security. After completing the registration, the camera will automatically be re-connected and the authentication window will be displayed. Enter the registered user name and password. The user authentication is enabled in the default setting.



IMPORTANT:

- When the camera is used over the Internet, disabling the user authentication may lead to unintended access by a third party. Therefore, it is recommended to leave the user authentication enabled.

- [5] If "Please click here to download and install the plug-in." is displayed in Live screen, follow the instructions to start the installation.



- [6] When the live video of the camera is displayed, the network access is complete.

NOTE:

For more information on the following content, refer to the Operating Instructions.

- Please set [Date/time] on the [Basic] screen of "Setup" before using the camera.
- Select your language with [Language] in the [Basic] tab of the "Setup" page before using the camera.
- If images are not displayed, set the Web browser to compatibility view. For details on how to configure, refer to our website (<http://security.panasonic.com/library/v/en/>).
- To register to a Panasonic network recorder, select WV-SP781, the model number required for the WV-V170. Refer to the Panasonic support website for details. <http://security.panasonic.com/library/v/en/>

Open Source Software

- This product contains open source software licensed under GPL (GNU General Public License), LGPL (GNU Lesser General Public License), etc.
- Customers can duplicate, distribute and modify the source code of the software under license of GPL and/or LGPL.
- Refer to the "readme.txt" file on the provided CD-ROM for further information about open source software licenses and the source code.
- Please note that Panasonic shall not respond to any inquiries regarding the contents of the source code.

Copyright

Except for open source software licensed under GPL/LGPL and so on, distributing, copying, disassembling, reverse compiling and reverse engineering of the software provided with this product are all expressly prohibited. In addition, exporting any software provided with this product violating export laws is prohibited.