

## 12 Megapixel Ultra HD Box type Network Camera

### Specifications

Camera	
Image Sensor	Approx. 1/1.7 type CMOS image sensor
Minimum Illumination	0.2 lx / F1.4 (color)*, 0.002 lx F1.4 (B/W)**1
Gain	Auto/ Manual
Back light compensation	OFF / BLC/ HLC/ WDR
Shutter speed	Auto/ Manual, 1/3 sec~1/100000 sec
Day / Night	Auto(ICR) / Color / Black & White
White Balance	Auto/ Natural / Street Lamp / Outdoor / Manual
Digital Noise Reduction	3DNR ON/ OFF
Privacy masking	Up to 4 areas
Video Motion Detection	On/ Off (4 Zones, Rectangle)
Lens (Optional)	
Mount Type	C/CS-mount
Network	
Network	10BASE-T/ 100BASE-TX, RJ45 connector
Resolution	12M (4000×3000)/8M (3840×2160)/5M (2560×1920)/3M (2048×1536)/ 1080P (1920×1080)/ 1.3M (1280×960)/720P (1280×720)/ VGA (640×480)/ 640×360/ 320×240
Image compression method	H.265/ H.264/ MJPEG
Frame Rate	12M: 1~20 fps, Others: 1~25/30 fps
Protocol	IPv4/ IPv6, HTTP, HTTPS, SSL, TCP/ IP, UDP, UPnP, ICMP, IGMP, SNMP, RTSP, RTP, SMTP, NTP, DHCP, DNS, DDNS, FTP, QoS, 802.1x, Multicast
Maximum concurrent access number	20 users (Number of sessions that can connect to cameras at the same time)
Compatible memory card*1 *2	micro SDXC/SDHC memory card 4 to 128 GB
I/O Port	Alarm Input 2 channel/ Output 1 channel, RS485 1 port, RS232 serial port 1 port
Audio Interface	Audio IN 1 channel/ Audio OUT 1 channel, 1 Built-in microphone
General	
Power source	12 V DC, 24V AC, PoE (IEEE802.3af compliant)
Power Consumption	12 V DC/24V AC: 800mA(50/60Hz) 12V DC:1A PoE 48 V DC: 200mA (Class 0 device)
Ambient Operating Temperature / Humidity	-30 °C to +50 °C {-22 °F to 122 °F} 10 % to 90 % (no condensation)
Dimensions	74 mm(W) × 135 mm(H) × 65 mm (D) {2-29/32 (W) × 5-5/16 (H) × 2-19/32 (D) inches}
Weight (approx.)	Approx. 540 g {1.19 lbs}

\*1 When repeatedly recording images on a micro SD memory card using the auto overwrite function, make sure to use a micro SD memory card with high reliability and durability.

\*2 Use the micro SD memory card that complies with UHS-1 (Ultra High Speed-1) in the case of SD Speed Class 10.



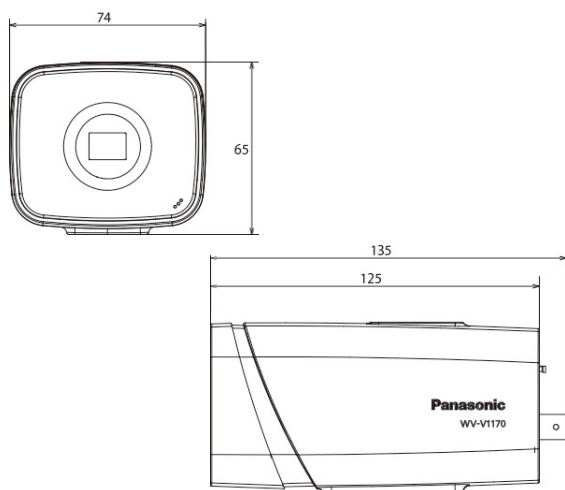
Lens : optional



### Key Features

- 1/1.7" 12 Megapixel CMOS image sensor.
- H.265 / H.264 & MJPEG triple-stream encoding
- 20fps@12M(4000x3000), 25/30fps@4K(3840x2160).
- Support ICR for day time and night time operation.
- Auto back focus(ABF)
- Built-in Microphone
- PoE. (IEEE802.3af compliant)

### Appearance



### Important

- Safety Precaution: Carefully read the operating instruction manual before using this product.
- Panasonic cannot be responsible for the performance of the network and/or other manufacturers' products used on the network.

- All pictures are simulated.
- Weights and dimensions are approximate.
- Specifications are subject to change without notice.

DISTRIBUTED BY: